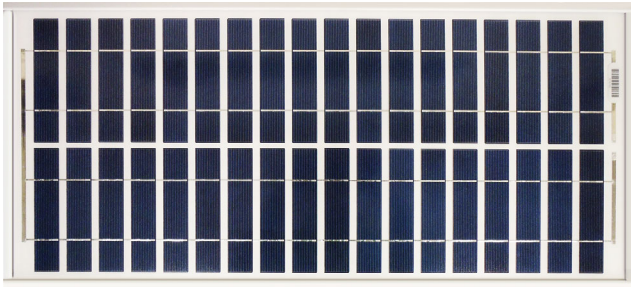
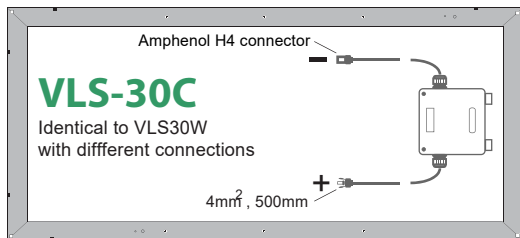
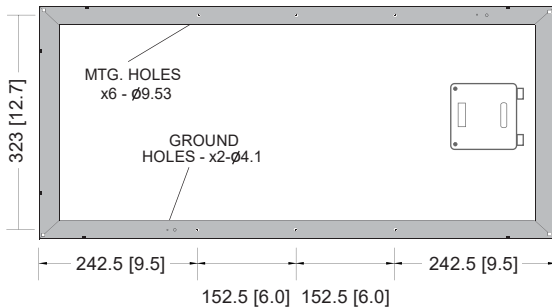
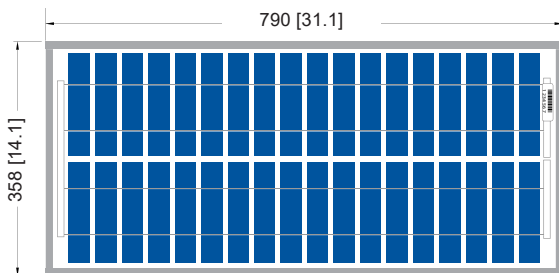


Value Line Series (VLS) 30W Panel - VLS-30 and VLS-30C

The Value Line Series (VLS) family of solar modules, offered by Ameresco Solar, is a reliable, rugged, and economic panel engineered for off-grid solar applications.



DIMENSIONS



Dimensions in mm [in].

Electrical characteristics

	(¹) STC 1000W/m ²	(²) NOCT 800W/m ²
Maximum power (P _{max})	30W	22W
Voltage at P _{max} (V _{mpp})	18.2V	16.3V
Current at P _{max} (I _{mpp})	1.65A	1.32A
Short circuit current (I _{sc})	1.75A	1.43A
Open circuit voltage (V _{oc})	22.1V	20.0V
Module efficiency		10.5%
Tolerance (P _{max})		-0/+3%
Nominal voltage		12V
Efficiency reduction at 200W/m ²	<5% reduction (efficiency 10%)	
Limiting reverse current		1.75A
Temperature coefficient of I _{sc}		0.105%/°C
Temperature coefficient of V _{oc}		-0.360%/°C
Temperature coefficient of (P _{max})		-0.45%/°C
(³) NOCT		47±2°C
Maximum series fuse rating		5A
Maximum system voltage		80V (U.S. NEC)

1: Values at Standard Test Conditions (STC): 1000W/m² irradiance, AM1.5 solar spectrum and 25°C module temperature
2: Values at 800W/m² irradiance, Nominal Operation Cell Temperature (NOCT) and AM1.5 solar spectrum
3: Nominal Operation Cell Temperature: Module operation temperature at 800W/m² irradiance, 20°C air temperature, 1m/s wind speed

Mechanical characteristics

Solar cells	36 crystalline silicon cells in series
Front cover	High transmission 3.2mm (1/8th in) glass
Encapsulant	EVA
Back cover	White polyester
Frame	Silver anodized aluminum
Junction box	IP65 with 4 terminal screw connection block; accepts PG 13.5, M20 13mm (½") conduit, or cable fittings
Cable (-C)	500mm, PV1-F/PV Wire, 4mm ² /12AWG, DO:6±0.2mm
Connector (-C)	Amphenol H4
Dimensions	790 x 358 x 50mm / 31.1 x 14.1 x 2in
Weight	3.9kg / 8.6lbs

All dimensional tolerances within ±1% unless otherwise stated.

Warranty*

- ▶ Free from defects in materials and workmanship for 2 years
- ▶ 90% minimum power output over 10 years

* Refer to warranty document for terms and conditions.

Certification

ISO 9001 ISO 9001 factory certification ensures that our manufacturing facilities use proven manufacturing and quality control processes.