

# VLS-T | Value Line Series

## Value Line Series (VLS) Solar Modules

The Value Line Series (VLS) family of solar modules, offered by Ameresco Solar, is a reliable, rugged, and economical panel engineered for off-grid solar applications. The VLS-T line is designed and manufactured with quality materials and is available in 50, 90, and 140 watts.

### Electrical Characteristics

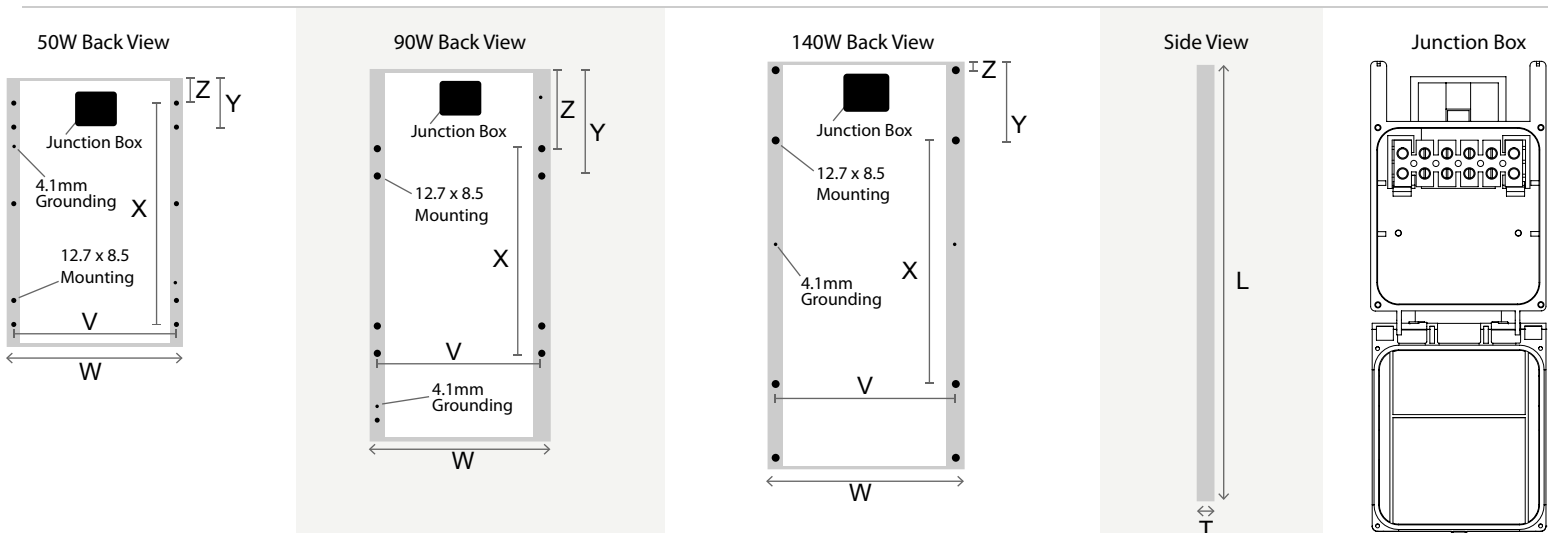
Model	VLS-50T	VLS-90T	VLS-140T
Maximum Power (Pmax)	50W	90W	140W
Optimum Operating Voltage (Vmp)	17.9	17.9	17.5
Optimum Operating Current (Imp)	2.79	5.03	8.0
Open Circuit Voltage (Voc)	22.1	22.1	22.0
Short Circuit Current (Isc)	2.9	5.21	8.2
Nominal Voltage (V)	12	12	12

### Mechanical Characteristics

Dimensions (L x W x T) mm(in)	835x537x50(32.9x21.1x2)	1204x537x50(47.4x21.1x2)	1504x674x50(59.2x26.5x2)
Weight kg(lbs)	6.0(13.2)	7.7(17.0)	12.0(26.5)
Cell Arrangement	36(3x12)	36(3x12)	36(4x9)
Mounting Holes (Z) mm(in)	55(2.2)	235.5(9.3)	8(0.3)
Mounting Holes (Y) mm(in)	127(5.0)	312.5(12.3)	301.5(11.9)
Mounting Holes (X) mm(in)	581(22.9)	725(28.5)	901(35.5)
Mounting Holes (V) mm(in)	502.5(19.8)	502.5(19.8)	639(25.2)

Values at Standard Test Conditions (STC): 1000W/m2 irradiance, AM 1.5 solar spectrum and 25°C module temperature

### Mounting Details



Diagrams may not be proportionate are intended for illustrative purposes only. Distance tolerances +/- 4mm. 07/24/15

### Other Information

Junction Box: IP65 rated with terminal strip and knockouts | Cell Type: Mono/Poly crystalline silicon | Glass: Tempered 3.2mm  
 Back Cover: White polyester | Frame: Aluminum, silver anodized | Manufactured according to International Quality and Environment Management System (ISO9001, ISO14001)