

SCP121050 G31 12V 105Ah(20hr)

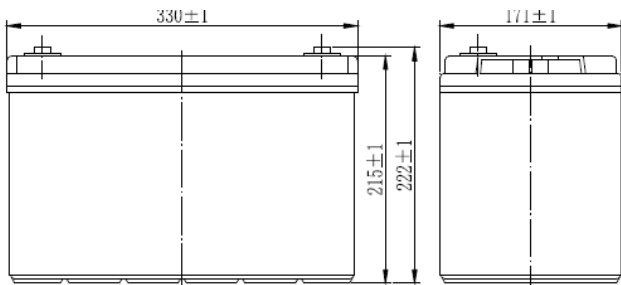
Rechargeable AGM Lead Acid batteries. Battery is completely sealed and is maintenance-free, leak proof, and can be used in any position. Is approved for transportation by Air, DOT, IATA, and FAA.

General Features

- Absorbent Glass Mat (AGM) technology for efficient gas recombination of up to 99%.
- Not restricted for air transportation, complies with IATA/ICAO special provision 67
- UL-recognized component
- Computer designed lead, calcium tin alloy grid for high power density
- Long service life, float or cyclic applications
- Maintenance-Free
- Low self-discharge

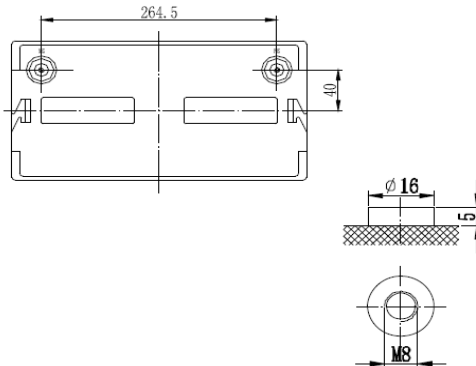
Dimensions and Weight

Length (mm / inch)	330/12.99
Width (mm / inch)	171/6.73
Height (mm / inch)	215/8.46
Total Height (mm / inch)	222/8.74
Aprox. Weight (kg / lbs)	29/63.9
Terminal Type/size	M8



Performance Characteristics

Nominal voltage	12
Number of cells	6
Nominal Capacity 77° F (25°C)	
100 hour rate	1.80V/cell 117Ahr
24 hour rate	1.80V/cell 107Ahr
10 hour rate	1.80V/cell 105Ahr
5 hour rate	1.75V/cell 83.1Ahr
1 hour rate	1.60V/cell 69.6Ahr
Self-Discharge	3% of capacity per month at 20°C
Operating Temperature Range	
Discharge	-20 to +60°C
Charge	-10 to +60°C
Storage	-20 to +60°C
Max Discharge Current	900A
Short Circuit Current	2100A
Charge Methods: Constant Voltage Charge 77° F (25°C)	
Cycle use	2.30-2.45VPC
Maximim charging current	30amps
Temperature compensation	-30mV/°C
Standby use	2.23-2.27VPC
Temperature compensation	-20mV/°C



SCP121050 G31 12V 105Ah(20hr)

